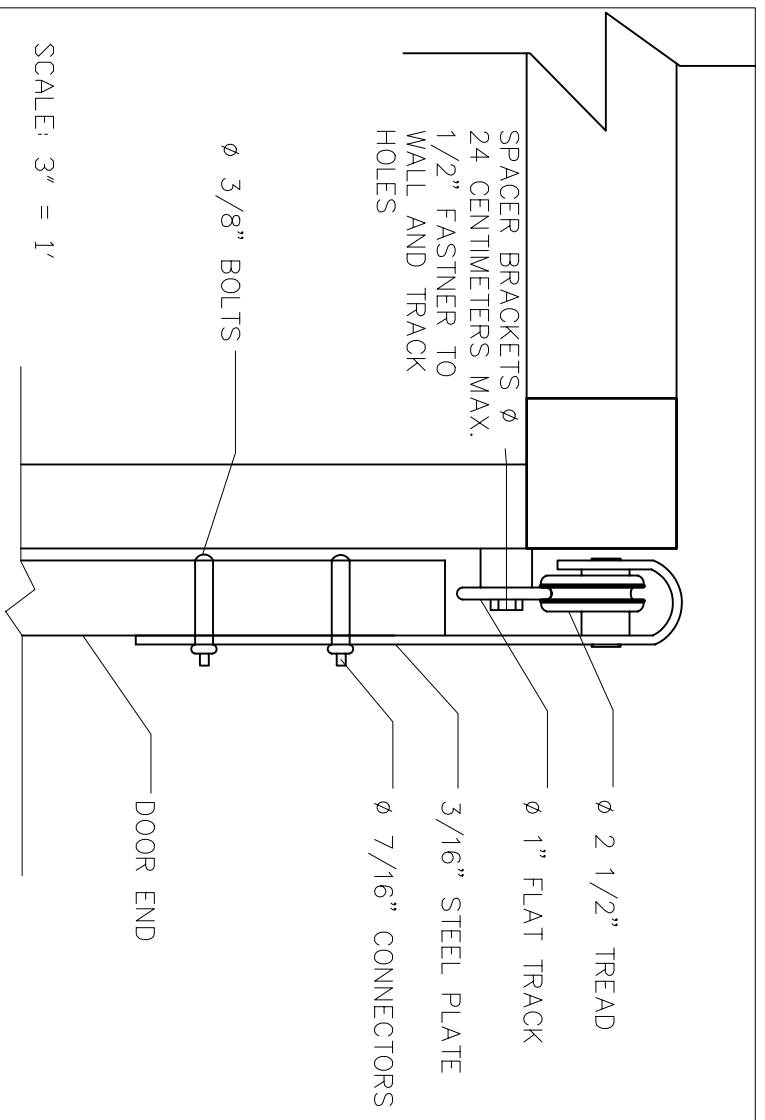
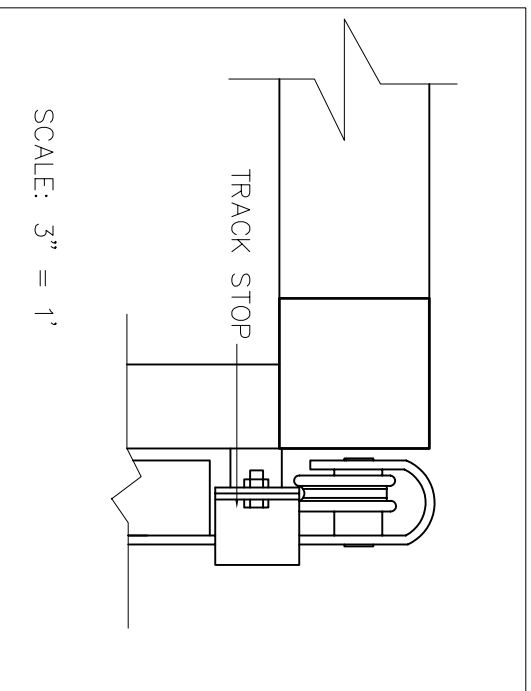


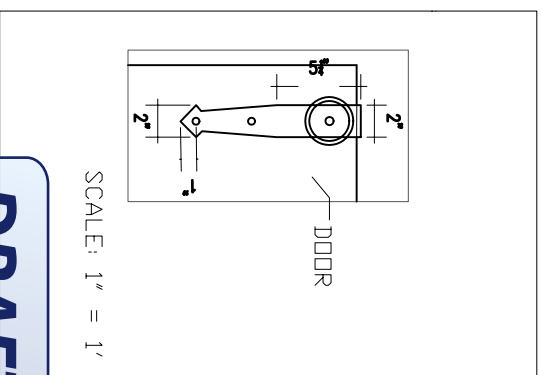
SCALE: 1/2" = 1'



SCALE: 3" = 1'



SCALE: 3" = 1'



SCALE: 1" = 1'

HOOD DESIGN

URBAN LANDSCAPE AND SITE ARCHITECTURE
 3016 FILBERT street
 Studio 2
 OAKLAND, CA 94608
 510.595.0688
 510.595.1486 fax

DETAIL TITLE:

SLIDING DOOR AND FLOOR

PROJECT:

BAISLEY PARK COMMUNITY GARDEN

SCALE:

NOTE: DRAFT NOT FOR CONSTRUCTION

DRAWN BY:

CAD TITLE:

DETAIL NO.:

DRAFT