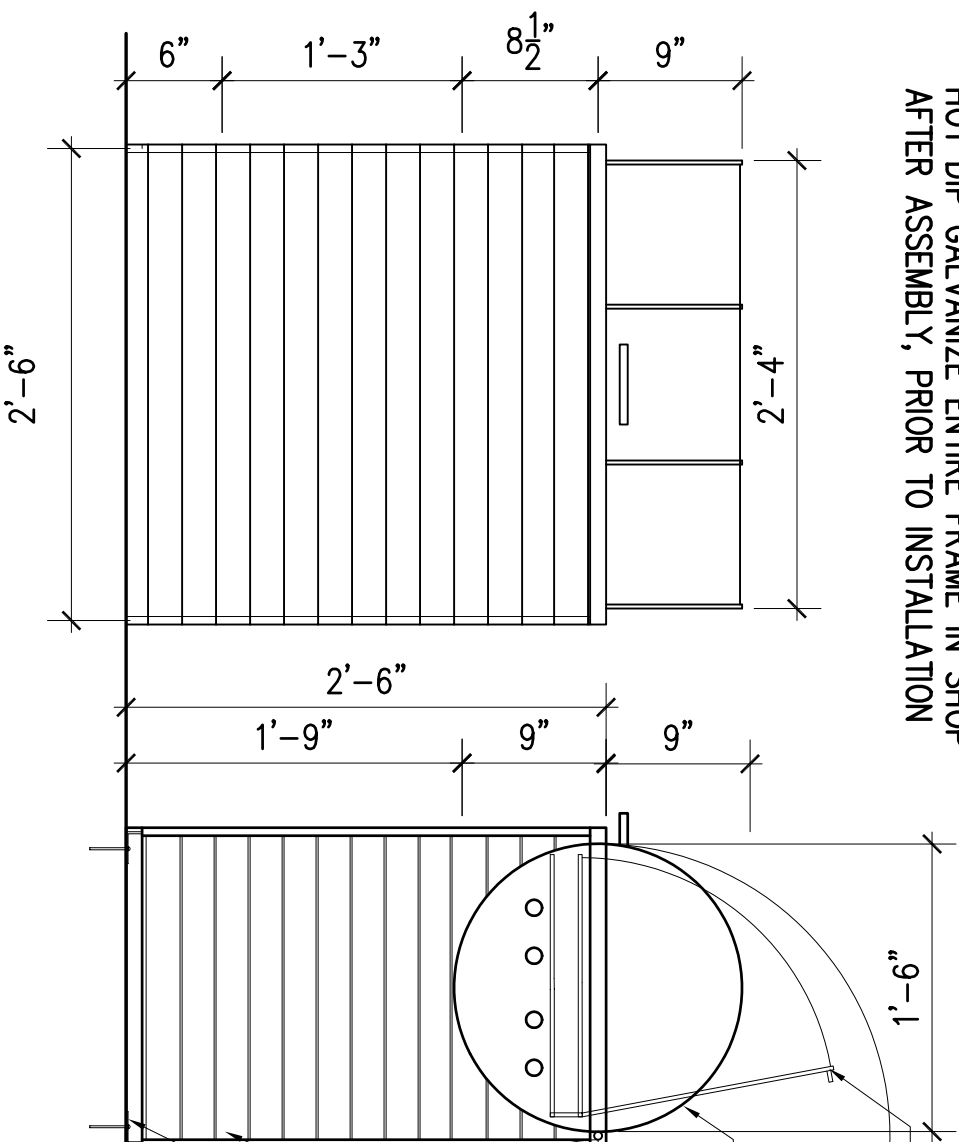


**NOTE:**  
HOT DIP GALVANIZE ENTIRE FRAME IN SHOP  
AFTER ASSEMBLY, PRIOR TO INSTALLATION



SWINGING COOKING  
GRATE, 432 SQ. IN.

30 GAL. METAL DRUM  
BAKED ENAMEL COAT  
BLACK

1/2" X 1/2" SQ. STEEL  
(SOLID)

2"X2" WOOD CLADDING WITH 1/8" SPACING

2" SQ. STEEL TABS  
DRILLED FOR ANCHOR  
BOLTS

CONCRETE SLAB  
5' X 5' X 4" THICK OVER  
COMPACTED AGG. BASE

**DRAFT**

<b>HOOD DESIGN</b>	<b>DETAIL TITLE:</b>
URBAN LANDSCAPE AND SITE ARCHITECTURE 3016 FILBERT street Studio 2 OAKLAND, CA 94608 510.595.0688 510.595.1486 fax	BBQ PIT BAISLEY PARK COMMUNITY GARDEN
<b>SCALE:</b> 1" = 1'	<b>NOTE:</b> DRAFT NOT FOR CONSTRUCTION
<b>DRAWN BY:</b>	<b>DETAIL NO.:</b>
<b>CAD TITLE:</b>	